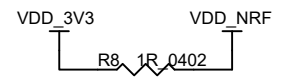
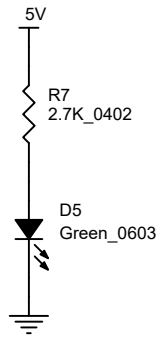
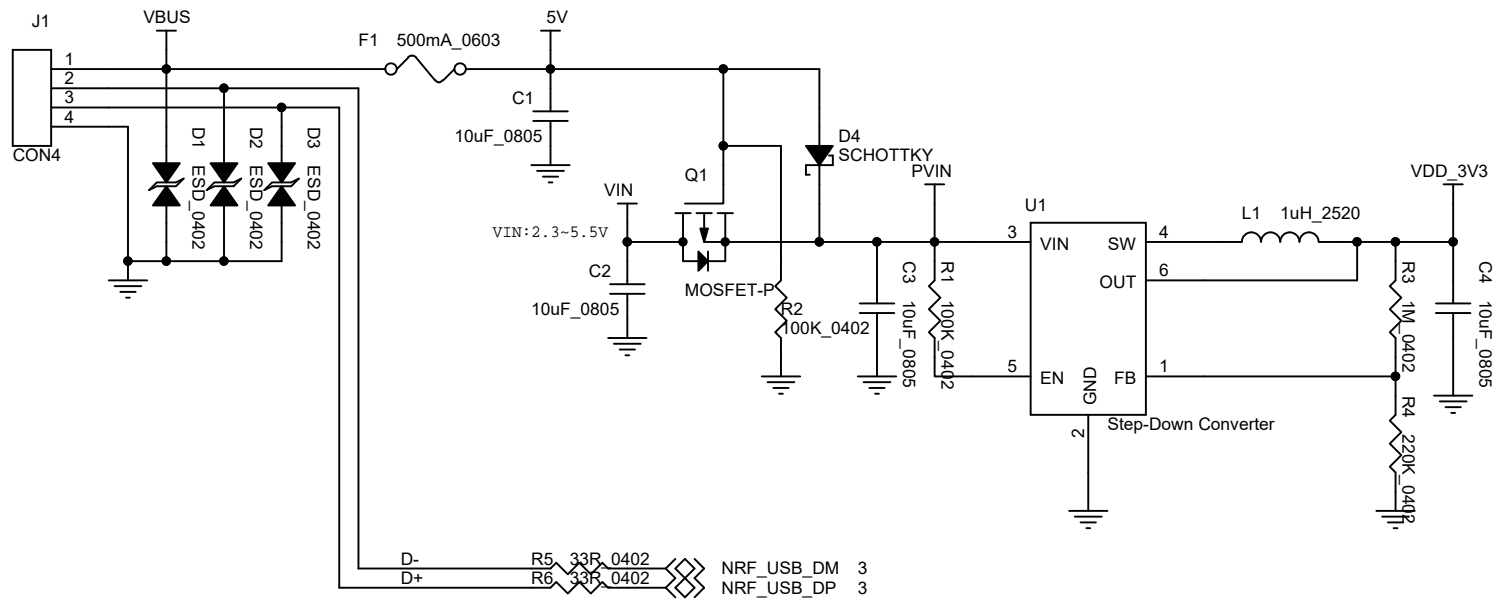


nRF52840 Micro Development Kit (USB Dongle Form Factor)	
An Open-source Low-cost nRF52840 Micro Development Kit in USB Dongle Form Factor	
Function Description	Page
Title Sheet	1
Power Supply	2
nRF52840 Core	3
Miscellaneous	4


Revision History		
Rev.	Description	Date
V1.0	The first release version.	2018-09-05

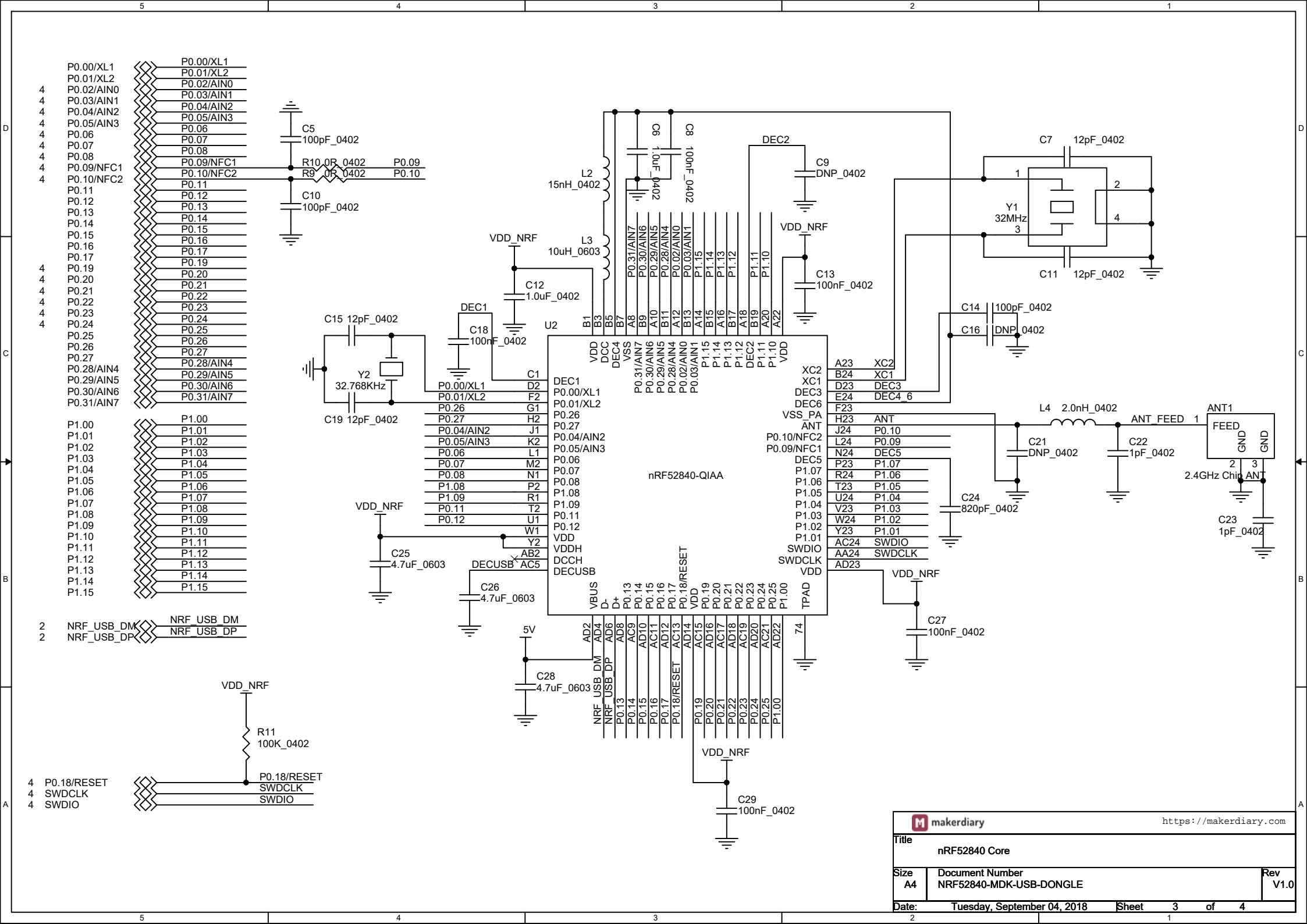
This design document is licensed by Makerdiary under the terms of the Creative Commons Attribution Share-Alike License (ver. 3).

<https://creativecommons.org/licenses/by-sa/3.0/>



Max power dissipation in R8 is 1/16W, which equals 250mA at 3.3V. Measure current with a Voltmeter, with a 1:1 relationship between V and A.

 makerdiary		https://makerdiary.com
Title Power Supply		
Size A4	Document Number NRF52840-MDK-USB-DONGLE	Rev V1.0
Date: Tuesday, September 04, 2018	Sheet 2	of 4



		https://makerdiary.com
Title: nRF52840 Core		
Size: A4	Document Number: NRF52840-MDK-USB-DONGLE	Rev: V1.0
Date: Tuesday, September 04, 2018	Sheet: 3	of 4

